

*Fay & Mason,
Blind Stop.*

N^o 17,923.

Patented Aug. 4, 1857.

FIG. 2.

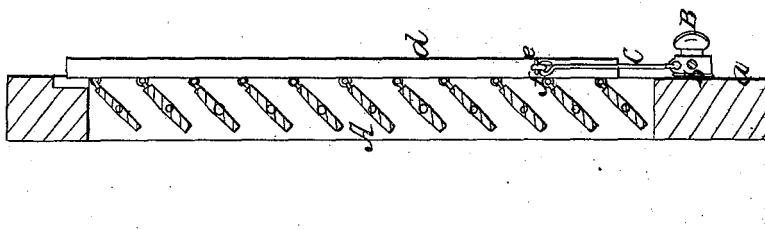
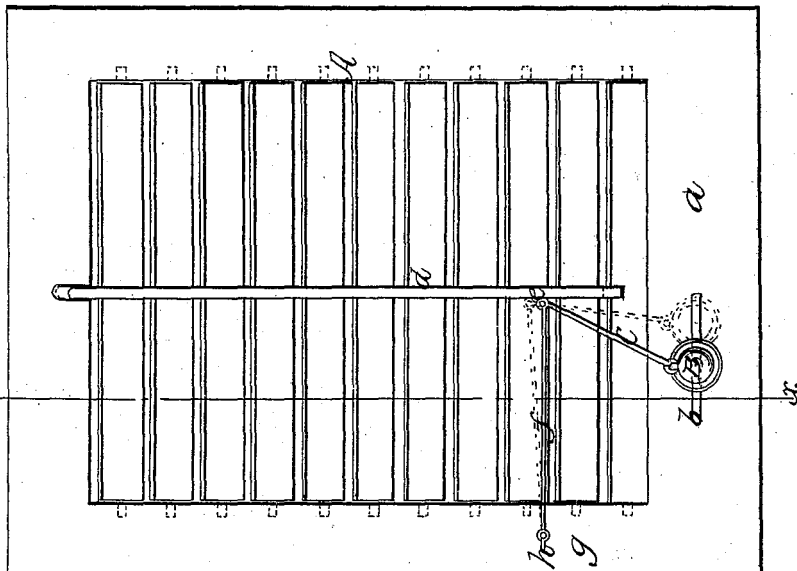


FIG. 1.



UNITED STATES PATENT OFFICE.

LUCIUS N. FAY AND WM. MASON, OF WARREN, MASSACHUSETTS.

DEVICE FOR OPERATING SLATS OF WINDOW-BLINDS.

Specification of Letters Patent No. 17,923, dated August 4, 1857.

To all whom it may concern:

Be it known that we, LUCIUS N. FAY and WILLIAM MASON, of Warren, in the county of Worcester and State of Massachusetts, have invented a new and improved device for operating or opening and closing window-blind slats and securing them either in an open or closed state or at any intermediate point; and we do hereby declare that the following is a full, clear, and exact description of the same, reference being had to the annexed drawings, making a part of this specification, in which—

Figure 1 is a window blind in elevation with our improvement applied to it. Fig. 2, is a transverse vertical section of ditto taken in the line (*x*) (*x*) Fig. 1.

Similar letters of reference indicate corresponding parts in the two figures.

Our invention consists in having a sliding head or knob attached to the lower cross rail of the blind and having a rod attached to the slat bar, said rod being also connected to the sliding head. The slat bar is supported or braced by a rod attached to one of the stiles of the blind and the several parts are so arranged that the slats will be opened and closed by sliding the head or knob, the slats being retained or held by the device at any desired point.

To enable those skilled in the art to fully understand and construct our invention we will proceed to describe it.

A represents an ordinary window blind. This does not require a minute description as there is nothing peculiar in its construction.

The lower cross rail (*a*) of the blind has a guide rod (*b*) attached to its inner side. This rod (*b*) is in a horizontal position and projects a short distance out from the cross rail, so that a head or knob B may slide freely back and forth thereon. This head or knob is constructed of metal and a rod (*c*) is attached to its upper side, the upper end

of rod (*c*) being attached to the slat rod (*d*) by a staple (*e*). To the staple (*e*) one end of a rod (*f*) is also attached and the opposite end of this rod is attached to the stile (*g*) of the blind by a staple (*h*).

From the above description of parts it will be seen that by sliding the head or knob B, back and forth on the rod (*b*) the slat rod will be moved up and down, and it will also be seen that if the rod (*c*) be of sufficient length the slats of the blind cannot be moved casually as the rod (*c*) when of sufficient length would draw or pull the head or knob too near a vertical line in order to actuate the head or knob, or move it laterally.

The slats therefore cannot as usual be actuated by the wind nor can they be operated by a person at the outer side of the blind for the reason above stated.

This invention is extremely simple and may be applied at a trifling cost to any movable slat blind in use. The rod (*f*) serves as a brace or support to the slat bar, and prevents said bar from being subjected to any strain or lateral pressure when actuated by the rod (*c*) of the head or knob (*b*).

Having thus described our invention what we claim as new and desire to secure by Letters Patent, is,

The sliding head or knob B, placed on the guide rod (*b*) which is attached to the cross rails (*a*) of the blind, the head or knob being connected with the slat rod (*d*) by the rod (*e*), the slat rod being braced or supported by a rod (*f*) attached to rod (*d*) and the stile (*g*) substantially as and for the purpose set forth.

LUCIUS N. FAY.
WILLIAM MASON.

Witnesses:

ABEL WILDER,
FRANCIS J. TAYLOR.